

SPREADER BEAMS

Standard S.W.L. up to 50.000 kg



Artabro-Samdeu

FIXED LENGHT SPREADERS

High strenght S355JOH steel profiles

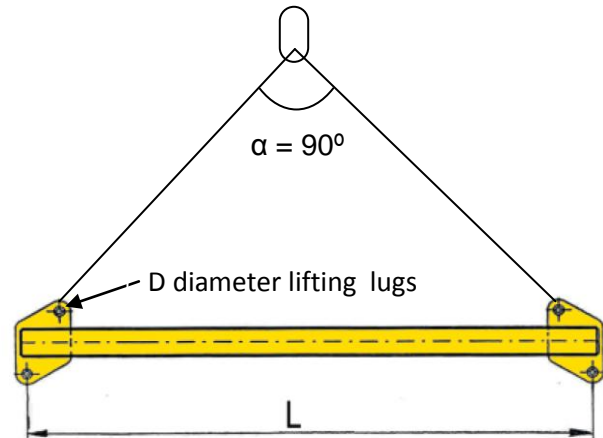
Lifting lugs fos standard shackles

Standard models up to 50.000 kg S.W.L. and 6 m lenght

Designed fos upper supension angle $\alpha = 90^\circ$

Any safe working load or lenght upon request

RAL 1004 yellow paint as standard



Model	S.W.L. (kg)	L (mm)	D (mm)	Shackles	Weight (kg)
SE.01.20	1000	2000	9	5/16"	25
SE.01.30	1000	3000	9	5/16"	30
SE.01.40	1000	4000	9	5/16"	50
SE.02.20	2000	2000	20	5/8"	40
SE.02.30	2000	3000	20	5/8"	45
SE.02.40	2000	4000	20	5/8"	65
SE.03.20	3000	2000	20	5/8"	45
SE.03.30	3000	3000	20	5/8"	60
SE.03.40	3000	4000	20	5/8"	80
SE.05.20	5000	2000	23	3/4"	60
SE.05.30	5000	3000	23	3/4"	70
SE.05.40	5000	4000	23	3/4"	95
SE.10.40	10000	3000	30	1"	140
SE.10.50	10000	4000	30	1"	190
SE.10.60	10000	5000	30	1"	255
SE.16.40	16000	4000	36	1 1/4"	225
SE.16.50	16000	5000	36	1 1/4"	280
SE.16.60	16000	6000	36	1 1/4"	315
SE.20.40	20000	4000	39	1 1/2"	270
SE.20.50	20000	5000	39	1 1/2"	320
SE.20.60	20000	6000	39	1 1/2"	430
SE.25.40	25000	4000	53	1 3/4"	390
SE.25.50	25000	5000	53	1 3/4"	435
SE.25.60	25000	6000	53	1 3/4"	490
SE.32.40	32000	4000	53	1 3/4"	450
SE.32.50	32000	5000	53	1 3/4"	550
SE.32.60	32000	6000	53	1 3/4"	610
SE.40.40	40000	4000	59	2"	570
SE.40.50	40000	5000	59	2"	640
SE.40.60	40000	6000	59	2"	815
SE.50.40	50000	4000	72	2 1/2"	655
SE.50.50	50000	5000	72	2 1/2"	735
SE.50.60	50000	6000	72	2 1/2"	885

SPREADER BEAMS

Standard S.W.L. up to 50.000 kg



QUOTATION REQUEST FORM

Should you need a spreader different than the models included in the previous table, we can quote a custom spreader to fulfil your needs. Please fill in the form below and send it to us, with your contact data. We will prepare a quotation as soon as possible.

CLIENT DATA:

COMPANY: _____

NAME: _____

PHONE: _____

EMAIL: _____

FILL IN AND SEND THIS FORM BY EMAIL TO:

artabro@artabrosamdeu.com

OR BY FAX TO THE NUMBER:

00 34 981 38 69 24

We have a solution for you!

SPREADER DATA:

SAFE WORKING LOAD: _____ kg

L: _____ mm

D: _____ mm

QUANTITY: _____ UNITS

Angle $\alpha > 90^\circ$ (indicate: _____°)

Corrosive environment

Special colour (RAL: _____)

Right angle lower lugs

Adjustable lower lugs

Center lug for handling without load

Otras características (especificar):