

# COIL HOOKS

Standard S.W.L. up to 40.000 kg



Artabro-Samdeu

## SELF BALANCED COIL HOOKS

High strength steel plate construction from S275JR or S355J2 steel

Lifting lugs for DIN 15401 crane hook

RAL 1004 yellow paint

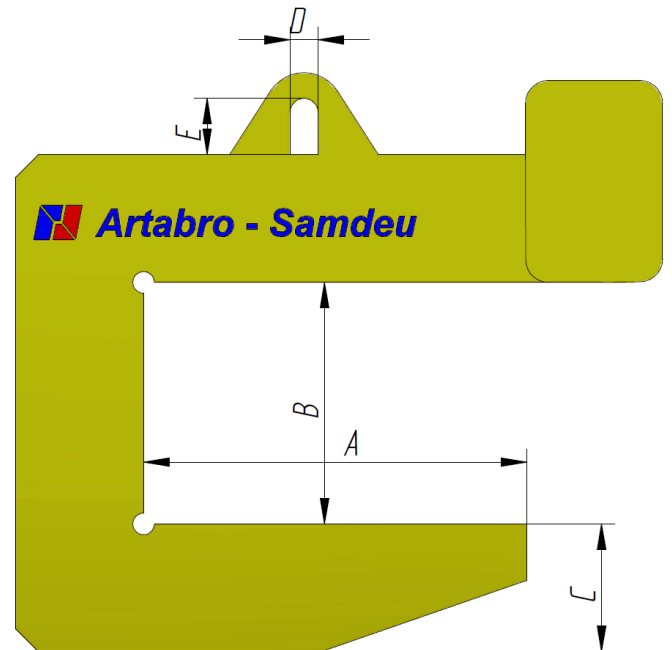
Self balanced design, keeps hook horizontal with and without load

EN-13155 compliant

CE certification

Standard models up to 40.000 kg S.W.L.

Higher capacities or dimensions upon request



Model	S.W.L. (kg)	A (mm)	B (mm)	C (mm)	D (mm)	E (mm)	Weight (kg)
GB.005.01	500	230	400	60	50	100	25
GB.005.02	500	600	400	80	50	100	45
GB.010.01	1000	230	450	75	55	120	35
GB.010.02	2000	600	450	110	55	120	125
GB.025.01	2500	230	500	90	75	150	65
GB.025.02	2500	600	500	140	75	150	175
GB.050.01	5000	600	550	160	90	190	235
GB.050.02	5000	1000	550	220	90	190	485
GB.075.01	7500	600	550	200	110	230	325
GB.075.02	7500	1200	550	250	110	230	680
GB.100.01	10000	600	600	230	120	250	460
GB.100.02	10000	1200	600	300	120	250	775
GB.150.01	15000	1100	700	300	160	260	985
GB.150.02	15000	1500	700	350	160	260	1450
GB.200.01	20000	1100	700	320	180	295	1100
GB.200.02	26000	1500	700	370	180	295	1850
GB.250.01	25000	1500	850	350	180	295	2100
GB.250.02	25000	1750	850	400	180	295	2400
GB.300.01	30000	1500	950	400	190	300	2700
GB.300.02	30000	1750	950	420	190	300	3000
GB.350.01	35000	1500	1050	420	200	335	3100
GB.350.02	35000	2000	1050	440	200	335	3500
GB.400.01	40000	1500	1150	450	200	335	3600
GB.400.02	40000	2000	1150	475	200	335	4000

# COIL HOOKS

Standard S.W.L. up to 40.000 kg



Artabro-Samdeu

## QUOTATION REQUEST FORM

Should you need accoil hook different than the models included in the previous table, we can quote a custom hook to fulfil your needs. Please fill in the form below and send it to us, with your contact data. We will prepare a quotation as soon as possible.

### CLIENT DATA:

COMPANY: \_\_\_\_\_

NAME: \_\_\_\_\_

PHONE: \_\_\_\_\_

EMAIL: \_\_\_\_\_

### HOOK DATA:

SAFE WORKING LOAD: \_\_\_\_\_ kg

A: \_\_\_\_\_ mm

B: \_\_\_\_\_ mm

C: \_\_\_\_\_ mm

D x E: \_\_\_\_\_ mm

QUANTITY: \_\_\_\_\_ UNIDADES

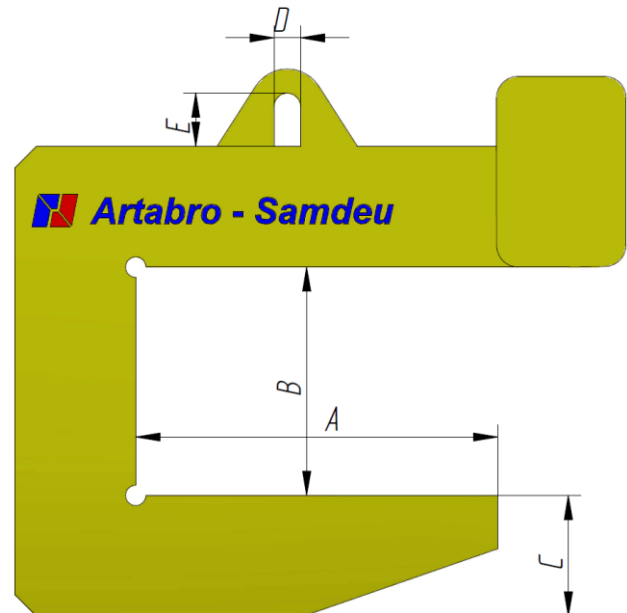
FILL IN AND SEND THIS FORM BY EMAIL TO:

[artabro@artabrosamdeu.com](mailto:artabro@artabrosamdeu.com)

OR BY FAX TO THE NUMBER:

**00 34 981 38 69 24**

*We have a solution for you!*



- Rubber cover for coil protection       Safety closure chain       Special colour (RAL: \_\_\_\_\_)
- Anticorrosive coating (metalizing)       Handles for manipulation

Other comments: