

ADJUSTABLE H LIFTING BEAMS

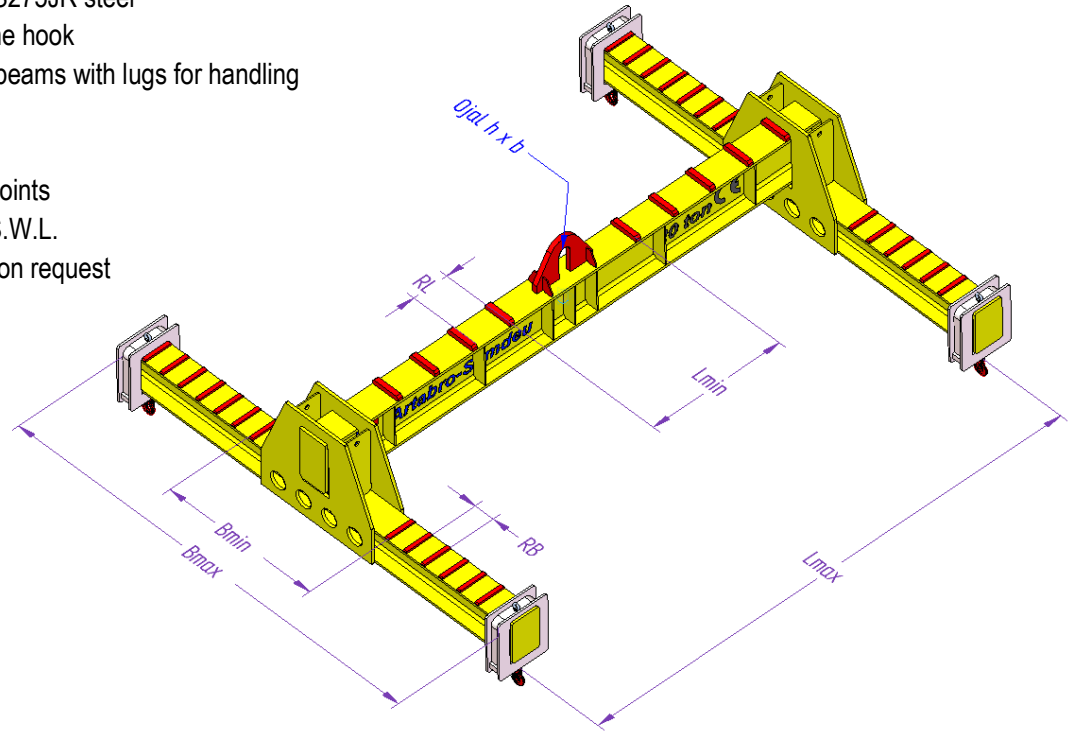
3.000 to 20.000 kg S.W.L.



Artabro-Samdeu

ADJUSTABLE H LIFTING BEAMS

- High strength structural profiles of S275JR steel
- Upper lifting lug for DIN 15401 crane hook
- Lower lifting points and adjustable beams with lugs for handling
- RAL 1004 yellow paint
- Grade 8 hooks with safety closure
- Up to 6x6 m between lower lifting points
- Standard models up to 20.000 kg S.W.L.
- Any other S.W.L. or dimensions upon request



Model	S.W.L. (kg)	Lmax (mm)	Lmin (mm)	Bmax (mm)	Bmin (mm)	RL (mm)	RB (mm)	h x b (mm)	Hmax (mm)	Estimated weight (kg)
BH.02.20.20	3000	2000	500	2000	400	100	100	75 x 135	660	190
BH.02.30.20	3000	3000	500	2000	400	100	100	75 x 135	675	250
BH.02.40.20	3000	4000	500	2000	400	100	100	75 x 135	700	295
BH.02.50.20	3000	5000	500	2000	400	100	100	75 x 135	725	340
BH.05.20.20	5000	2000	650	2000	400	100	100	100 x 180	700	290
BH.05.30.20	5000	3000	650	2000	400	100	100	100 x 180	750	340
BH.05.40.20	5000	4000	650	2000	400	100	100	100 x 180	780	495
BH.05.50.20	5000	5000	650	2000	400	100	100	100 x 180	825	550
BH.08.20.25	8000	2000	750	2500	500	150	150	120 x 250	800	545
BH.08.30.25	8000	3000	750	2500	500	150	150	120 x 250	870	630
BH.08.40.25	8000	4000	750	2500	500	150	150	120 x 250	900	670
BH.08.50.25	8000	5000	750	2500	500	150	150	120 x 250	1000	780
BH.16.40.30	16000	4000	850	3000	600	200	150	160 x 330	1100	1150
BH.16.50.30	16000	5000	850	3000	600	200	150	160 x 330	1150	1300
BH.16.60.30	16000	6000	850	3000	600	200	150	160 x 330	1250	1700
BH.20.40.40	20000	4000	1000	4000	800	300	150	160 x 330	1450	2950
BH.20.50.40	20000	5000	1000	4000	800	300	150	160 x 330	1550	3300
BH.20.60.40	20000	6000	1000	4000	800	300	150	160 x 330	1600	3800



☎ 00 34 981 39 70 65
 ✉ artabro@artabrosamdeu.com
 🌐 www.artabrosamdeu.com

ADJUSTABLE H LIFTING BEAMS

3.000 to 20.000 kg S.W.L.



Artabro-Samdeu

QUOTATION REQUEST FORM

Should you need a lifting beam different than the models included in the previous table, we can quote a custom lifting beam to fulfil your needs. Please fill in the form below and send it to us, with your contact data. We will prepare a quotation as soon as possible.

CLIENT DATA:

COMPANY: _____

NAME: _____

PHONE: _____

EMAIL: _____

FILL IN AND SEND THIS FORM BY EMAIL TO:

artabro@artabrosamdeu.com

OR BY FAX TO THE NUMBER:

00 34 981 38 69 24

We have a solution for you!

LIFTING BEAM DATA:

SAFE WORKING LOAD: _____ kg

Lmax / Lmin: _____ / _____ mm

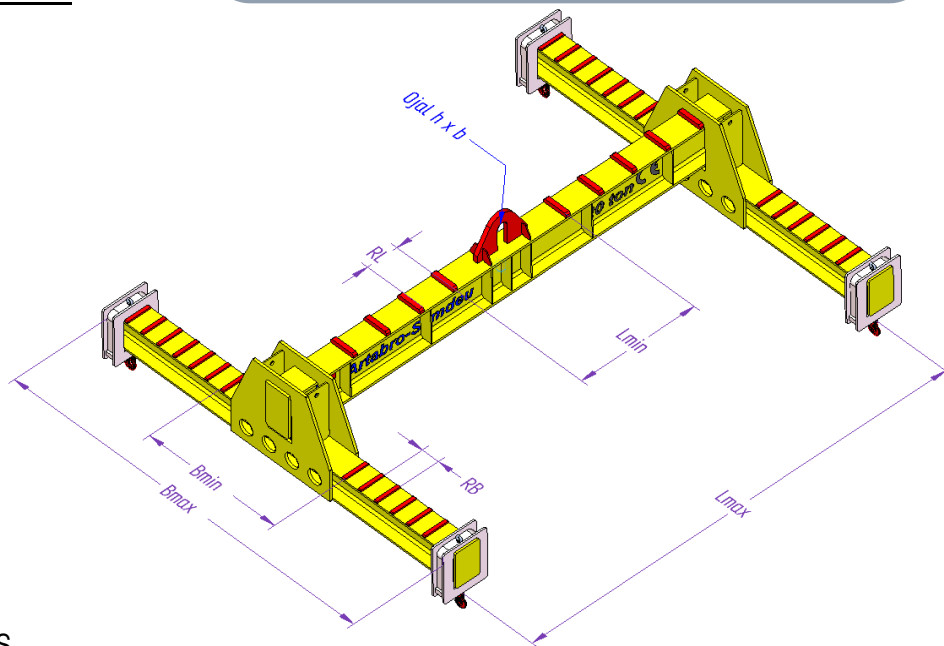
Bmax / Bmin: _____ / _____ mm

RL / RB: _____ / _____ mm

b x h: _____ mm

Hmax: _____ mm

QUANTITY: _____ UNITS



- Rotating lower hooks Double lower hooks Corrosive environment Special colour (RAL: _____)

Other comments: